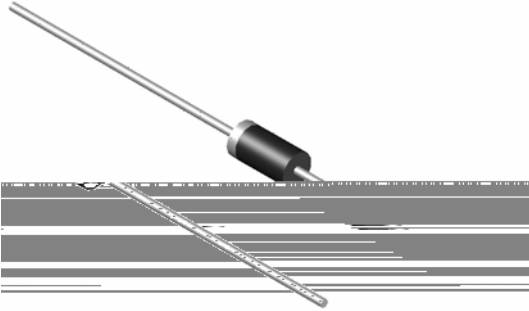




; YbYfU`D i fdcgY`FYWhjZ]Yf`

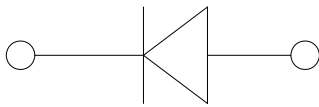
..... : YUh ifYg`



- High efficiency
- High current capability
- High reliability
- High surge current capability
- Low power loss
- Glass passivated chip junction
- Solder dip 275 °C max. 7 s, per JESD 22-B106

Hmd]WU`5dd`]WUh]cbg`

For use in general purpose rectification of power supplies, inverters, converters, and freewheeling diodes for consumer, and telecommunication.



AYW\Ub]WU`8UhU`

- DUW\_U[Y: DO-204AC(DO-15)
- Molding compound meets UL 94 V-0 flammability rating, RoHS-compliant
- HYf a ]bU`g: Tin plated leads, solderable per J-STD-002 and JESD22-B102
- Dc`Uf]hm. Color band denotes cathode end

AUI]a i a`FUh]b[g (Ta=25 Unless otherwise specified

AUI]a i B5F5A9H9F`DYU\_`FYjYfgY`Jc`hU[Y` J

	FFA`	J`	)\$`	%%\$`	&\$`	(\$`	*\$`	, \$\$`	%%\$`
AUI]a i a`FAG`Jc`hU[Y`	JFAG`	J`	' )`	+\$`	%( \$`	&, \$`	(&\$`	) *\$`	+\$`
AUI]a i a`87`V`cW_]b[ `Jc`hU[Y`	J87`	J`	)\$`	%%\$`	&\$`	(\$`	*\$`	, \$\$`	%%\$`
5 jYfU[Y` : cfkUfX`7 i ffYbh` 4 *\$<n`g]bY`kUjY`Z`FYg]ghUbWY`cUX`Z`HU`1 )\$`	$I_{F(AV)}$	A	2.5						
Forward Surge Current (Non-repetitive) @60Hz Half-sine wave, 1 cycle, Tj=25	$I_{FSM}$	A	120						
Forward Surge Current (Non-repetitive) @1ms, square wave, 1 cycle, Tj=25			240						
Current squared time 4		$t_s$	60						
Typical junction capacitance @ Measured at 1MHz and Applied Reverse Voltage of 4.0 V.D.C	Cj	pF	22						
Storage Temperature	Tstg	-55 ~ +150							
Junction Temperature	Tj	-55 ~ +150							

9`YWhf]WU`7`UfUWhYf]gh]Wg Ta=25 Unless otherwise specified

D5F5A9H9F`	GMA6C@	IB-H`	H9GH`7CB8-H-CBG	F@&)% ;	F@&)& ;	F@&)' ;	F@&)( ;	F@&)) ;	F@&)* ;	F@&)+ ;
Maximum instantaneous forward voltage drop per diode	VF	V	$I_{FM}=2.5A$	1.1						
Maximum DC reverse current at rated DC blocking voltage per diode	IR	$\mu A$	$T_j=25$	2.5						
			$T_j=125$	50						

5 / \* 7 + 5 8 5 / \*

v7KHUPDO & KDUDÄF7WHU&QVHLFVRWKHUÅLVH VSHFLILHG

3\$5\$0(7(5	6<0%2/	81,7	5/ *	5/ *	5/ *	5/ *	5/ *	5/ *	5/ *
-------------	--------	------	------	------	------	------	------	------	------





8]gW`U] a Yf`

The information presented in this document is for reference only. Yangzhou Yangjie Electronic Technology Co., Ltd. reserves the right to make changes without notice for the specification of the products displayed herein to improve reliability, function or design or otherwise.

The product listed herein is designed to be used with ordinary electronic equipment or devices, and not designed to be used with equipment or devices which require high level of reliability and the malfunction of which would directly endanger human life (such as medical instruments, transportation equipment, aerospace machinery, nuclear-reactor controllers, fuel controllers and other safety devices), Yangjie or anyone on its behalf, assumes no responsibility or liability for any damages resulting from such improper use of sale.

This publication supersedes & replaces all information previously supplied. For additional information, please visit our website [http:// www.21yangjie.com](http://www.21yangjie.com) , or consult your nearest Yangjie's sales office for further assistance.